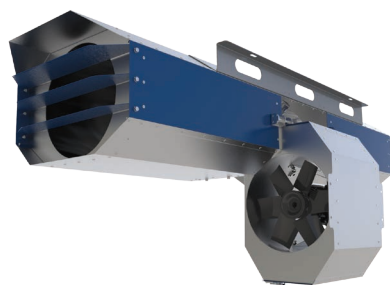
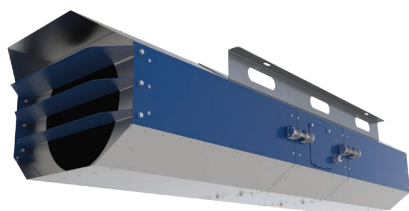


JAF series

Unidirectional single- and double-speed
Reversible single- and double-speed



JAF – CI model



JAF – VI model

Axial jet fans for ventilation of covered parking
Temperatures of the transported medium: in continuous operation up to +55 °C in smoke extraction mode:
300 °C – 2 hrs
400 °C – 2 hrs
Functionality. Power. Efficiency.

■ Application

JAF jet axial fans are designed for general purpose ventilation of underground and semiopened parking, ventilation of tunnels, smoke extraction in case of fire as a part of smoke extract system. The fans generate a high-speed and high-pressure directed air jet.

■ Modifications

- Unidirectional single-speed type (U)
- Unidirectional double-speed type (U)
- Reversible single-speed (R)
- Reversible double-speed (R)

■ Design

The casing of the JAF fan is made of polymer coated steel. The fans are available in two casing versions: cylindrical and octagonal.

The fan in an octagonal casing has a reduced height, a hinged hatch for electrical installation with captive bolts and a detachable middle part for maintenance. The casing includes inner brackets for motor fixation. These brackets act as directing vanes and distribute air flow uniformly, thus increasing aerodynamic performances of the fan. The fan has a sound insulation of mineral wool.

■ Motor

Three-phase asynchronous short-circuit rotor motor is installed inside the fan casing.

Motor ingress protection rating is IP55.

The motor design ensures operation of the fan in the smoke extract systems and/or general ventilation systems in unidirectional and reversible modes.

The motors are designed for 400 V mains voltage and 50 Hz mains frequency.

■ Impeller

The dynamically balanced impeller is made of cast aluminium alloy (for fans of smoke extraction systems) or of glass-fiber reinforced polyamide (for fans of general industrial use).

The reversible fans are equipped with 100 % reversible two-directional impeller.

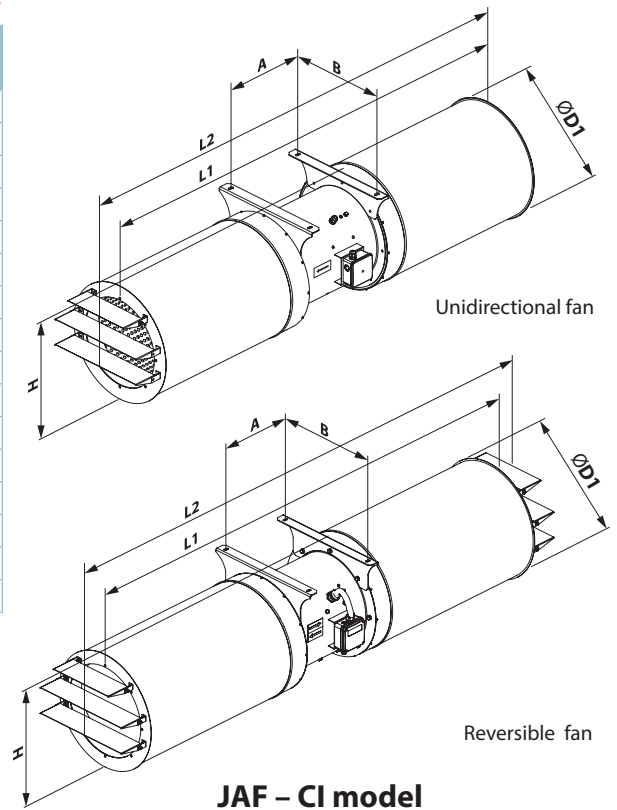
■ Mounting

JAF fans are designed for horizontal ceiling mounting and fixation by means of the supplied fixing brackets attached to the fan casing.

Model	Casing type	Casing insulation	Diameter [mm]	High-powered motor	Pole number	Air flow	Fire resistance limit/hrs
JAF (jet axial fan)	- C: round V: octagonal	no symbol means no sound insulation I: sound-insulated casing	- 315 355 400 450 500 560 630	no symbol means the only available standard size M, S: model with a high-power motor	- 2 2/4 (applicable for double-speed motors)	- U: uni-directional R: reversible	- no number: max. +55 °C 300/2: 300 °C/2 hrs. 400/2: 400 °C/2 hrs.

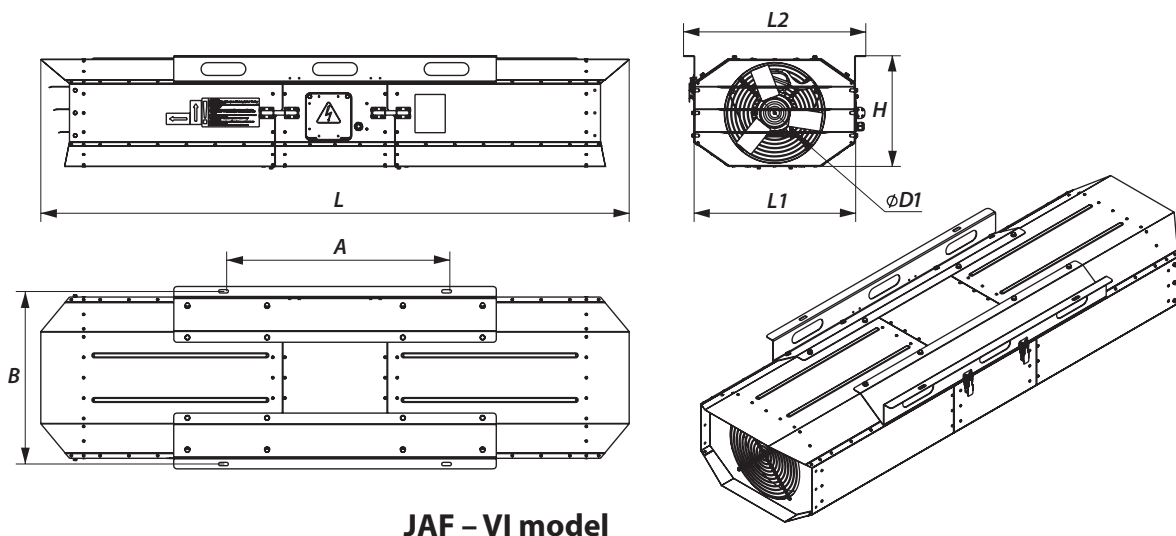
The fans with the fire resistance limit 200 °C/2 h can be manufactured on special request.

Model	Dimensions [mm]						Weight [kg]
	ØD1	A	B	H	L1	L2	
Unidirectional							
JAF-CI-315-U	414	302	355	425	1654	1763	40
JAF-CI-355-U	467	302	420	482	1954	2079	50
JAF-CI-400-U	515	351	460	525	2004	2129	65
JAF-CI-450-U	565	351	500	575	2004	2129	85
JAF-CI-500-U	603	371	580	620	2004	2145	110
JAF-CI-560-U	663	446	620	678	2093	2247	155
JAF-CI-630-U	733	550	710	748	2193	2357	245
Reversible							
JAF-CI-315-R	414	302	355	425	1654	1872	40
JAF-CI-355-R	467	302	420	482	1954	2202	50
JAF-CI-400-R	515	351	460	525	2004	2253	65
JAF-CI-450-R	565	351	500	575	2004	2253	85
JAF-CI-500-R	603	371	580	620	2004	2290	110
JAF-CI-560-R	663	446	620	678	2093	2400	155
JAF-CI-630-R	733	550	710	748	2193	2520	245



The fans with the fire resistance limit 200 °C/2 h can be manufactured on special request.

Model	Dimensions [mm]							Weight [kg]
	ØD1	A	B	L1	L2	L	H	
Unidirectional								
JAF-VI-315-U	315	700	542	507	572	1846	347	58
JAF-VI-355-U	355	700	583	546	613	2046	388	75
JAF-VI-400-U	400	750	632	590	667	2296	434	95
Reversible								
JAF-VI-315-R	315	700	542	507	572	1846	347	58
JAF-VI-355-R	355	700	583	546	613	2046	388	75
JAF-VI-400-R	400	750	632	590	667	2296	434	95



JET AXIAL FANS

Technical data JAF-VI

Ø [mm]	Air flow direction	Number of speeds	Model	Power [kW]	Max. air capacity [m³/h]	Fan pull [N]	Air speed [m/s]	RPM	Operating temperature [°C]	Sound pressure LpA, dB in 3 m			
315	Unidirectional	1	JAF-VI-315-2-U	0.55	4520	26	17.2	2880	-25...+55 °C	63			
			JAF-VI-315-2-U-300/2						300°C/2 h	63			
			JAF-VI-315-2-U-400/2						400°C/2 h	63			
			JAF-VI-315M-2-U						-25...+55 °C	64			
		JAF-VI-315M-2-U-300/2	0.75	4990	32	19	2880	300°C/2 h	64				
		JAF-VI-315M-2-U-400/2	3590	17	13.6	400°C/2 h	65						
		2	JAF-VI-315-2/4-U	0.55/0.11	4520/2260	26/7	17.2/8.6	2880/1440	-25...+55 °C	63/48			
			JAF-VI-315-2/4-U-300/2		3250/1630	14/4	12.4/6.18	300°C/2 h	63/48				
	JAF-VI-315-2/4-U-400/2		4990/2490		32/8	19/9.5	2880/1440	400°C/2 h	63/48				
	JAF-VI-315M-2/4-U		0.8/0.2		4990/2490	32/8	19/9.5	2880/1440	-25...+55 °C	64/49			
	JAF-VI-315M-2/4-U-300/2	3590/1790	17/5	13.6/6.8	300°C/2 h	64/49							
	JAF-VI-315M-2/4-U-400/2	400°C/2 h	65/50										
	Reversible	1	JAF-VI-315-2-R	0.55	4190	23	15.9	2880	-25...+55 °C	67			
			JAF-VI-315-2-R-300/2						300°C/2 h	67			
			JAF-VI-315-2-R-400/2						400°C/2 h	68			
			JAF-VI-315-2/4-R						0.55/0.11	4180/2100	23/6	15.9/7.9	2880/1440
JAF-VI-315-2/4-R-300/2		300°C/2 h	67/52										
JAF-VI-315-2/4-R-400/2		3010/1510	12/3	11.4/5.7	400°C/2 h	68/53							
*Smoke extraction mode: once for two hours													
355		Unidirectional	1	JAF-VI-355-2-U	0.75	5830	34	17.3	2880	-25...+55 °C	65		
	JAF-VI-355-2-U-300/2			300°C/2 h						65			
	JAF-VI-355-2-U-400/2			4880						24	14.5	400°C/2 h	65
	JAF-VI-355M-2-U			1.1						6740	45	20.0	2880
	JAF-VI-355M-2-U-300/2		5360	29	15.9	300°C/2 h	64						
	JAF-VI-355M-2-U-400/2		400°C/2 h	67									
	2		JAF-VI-355-2/4-U	0.8/0.2	5830/3000	34/9	17.3/8.9	2880/1440	-25...+55 °C	65/50			
			JAF-VI-355-2/4-U-300/2		4880/2440	24/6	14.5/7.3	300°C/2 h	65/50				
		JAF-VI-355-2/4-U-400/2	6740/3370		45/12	20.0/10.0	2880/1440	400°C/2 h	65/50				
		JAF-VI-355M-2/4-U	1.1/0.25		6740/3370	45/12	20.0/10.0	2880/1440	-25...+55 °C	64/49			
	JAF-VI-355M-2/4-U-300/2	5360/2680	29/8	15.9/8	300°C/2 h	64/49							
	JAF-VI-355M-2/4-U-400/2	400°C/2 h	67/52										
	Reversible	1	JAF-VI-355-2-R	1.1	5810	34	17.3	2880	-25...+55 °C	68			
			JAF-VI-355-2-R-300/2						300°C/2 h	68			
			JAF-VI-355-2-R-400/2						5160	27	15.3	400°C/2 h	70
			JAF-VI-355-2/4-R						1.1/0.25	5810/2900	34/9	17.3/8.6	2810/1390
JAF-VI-355-2/4-R-300/2		300°C/2 h	68/53										
JAF-VI-355-2/4-R-400/2		5160/2580	27/7	15.3/7.7	400°C/2 h	70/55							
*Smoke extraction mode: once for two hours													
400		Unidirectional	1	JAF-VI-400-2-U	1.1	8500	57	20.0	2880	-25...+55 °C	69		
	JAF-VI-400-2-U-300/2			300°C/2 h						69			
	JAF-VI-400-2-U-400/2			6970						39	16.4	400°C/2 h	70
	JAF-VI-400M-2-U			2.2						9870	77	23.2	2880
	JAF-VI-400M-2-U-300/2		8500	57	20	300°C/2 h	67						
	JAF-VI-400M-2-U-400/2		400°C/2 h	69									
	2		JAF-VI-400-2/4-U	1.1/0.25	8500/4250	57/15	20.0/10.0	2880/1440	-25...+55 °C	69/54			
			JAF-VI-400-2/4-U-300/2		6970/3490	39/10	16.4/8.2	300°C/2 h	69/54				
		JAF-VI-400-2/4-U-400/2	9870/4930		77/20	23.2/11.6	2880/1440	400°C/2 h	70/55				
		JAF-VI-400M-2/4-U	2.2/0.5		9870/4930	77/20	23.2/11.6	2880/1440	-25...+55 °C	67/52			
	JAF-VI-400M-2/4-U-300/2	8500/4250	57/15	20/10	300°C/2 h	67/52							
	JAF-VI-400M-2/4-U-400/2	400°C/2 h	69/54										
	Reversible	1	JAF-VI-400-2-R	1.5	8290	54	19.5	2880	-25...+55 °C	70			
			JAF-VI-400-2-R-300/2						300°C/2 h	70			
			JAF-VI-400-2-R-400/2						7140	40	16.8	400°C/2 h	71
			JAF-VI-400-2/4-R						1.5/0.37	8290/4140	54/14	19.5/9.7	2880/1440
JAF-VI-400-2/4-R-300/2		300°C/2 h	70/55										
JAF-VI-400-2/4-R-400/2		7140/3570	40/10	16.8/8.4	400°C/2 h	71/56							
*Smoke extraction mode: once for two hours													

■ Technical data JAF-CI

Ø [mm]	Air flow direction	Number of speeds	Model	Power [kW]	Max. air capacity [m³/h]	Fan pull [N]	Air speed [m/s]	RPM	Operating temperature [°C]	Sound pressure LpA, dB in 3 m
315	Unidirectional	1	JAF-CI-315-2-U	0.55	4520	26	17.2	2880	-25...+55 °C	63
			JAF-CI-315-2-U-300/2						300°C/2 h	63
			JAF-CI-315-2-U-400/2						400°C/2 h	63
		1	JAF-CI-315M-2-U	0.75	4990	32	19	2880	-25...+55 °C	64
			JAF-CI-315M-2-U-300/2						300°C/2 h	64
			JAF-CI-315M-2-U-400/2						400°C/2 h	65
		2	JAF-CI-315-2/4-U	0.55/0.11	4520/2260	26/7	17.2/8.6	2880/1440	-25...+55 °C	63/48
			JAF-CI-315-2/4-U-300/2		300°C/2 h				63/48	
			JAF-CI-315-2/4-U-400/2	3250/1630	14/4	12.4/6.18	400°C/2 h	63/48		
	JAF-CI-315M-2/4-U		0.8/0.2	4990/2490	32/8	19/9.5	2880/1440	-25...+55 °C	64/49	
	JAF-CI-315M-2/4-U-300/2			300°C/2 h				64/49		
	JAF-CI-315M-2/4-U-400/2	3590/1790	17/5	13.6/6.8	400°C/2 h	65/50				
	Reversible	1	JAF-CI-315-2-R	0.55	4190	23	15.9	2880	-25...+55 °C	67
			JAF-CI-315-2-R-300/2						300°C/2 h	67
			JAF-CI-315-2-R-400/2						400°C/2 h	68
		2	JAF-CI-315-2/4-R	0.55/0.11	4180/2100	23/6	15.9/7.9	2880/1440	-25...+55 °C	67/52
			JAF-CI-315-2/4-R-300/2		300°C/2 h				67/52	
			JAF-CI-315-2/4-R-400/2		3010/1510				12/3	11.4/5.7
*Smoke extraction mode: once for two hours										
355	Unidirectional	1	JAF-CI-355-2-U	0.75	5830	34	17.3	2880	-25...+55 °C	65
			JAF-CI-355-2-U-300/2						300°C/2 h	65
			JAF-CI-355-2-U-400/2						4880	24
		1	JAF-CI-355M-2-U	1.1	6740	45	20.0	2880	-25...+55 °C	64
			JAF-CI-355M-2-U-300/2						300°C/2 h	64
			JAF-CI-355M-2-U-400/2						5360	29
		2	JAF-CI-355-2/4-U	0.8/0.2	5830/3000	34/9	17.3/8.9	2880/1440	-25...+55 °C	65/50
			JAF-CI-355-2/4-U-300/2		300°C/2 h				65/50	
			JAF-CI-355-2/4-U-400/2	4880/2440	24/6	14.5/7.3	400°C/2 h	65/50		
	JAF-CI-355M-2/4-U		1.1/0.25	6740/3370	45/12	20.0/10.0	2880/1440	-25...+55 °C	64/49	
	JAF-CI-355M-2/4-U-300/2			300°C/2 h				64/49		
	JAF-CI-355M-2/4-U-400/2	5360/2680	29/8	15.9/8	400°C/2 h	67/52				
	Reversible	1	JAF-CI-355-2-R	1.1	5810	34	17.3	2880	-25...+55 °C	68
			JAF-CI-355-2-R-300/2						300°C/2 h	68
			JAF-CI-355-2-R-400/2						5160	27
		2	JAF-CI-355-2/4-R	1.1/0.25	5810/2900	34/9	17.3/8.6	2810/1390	-25...+55 °C	68/53
			JAF-CI-355-2/4-R-300/2		300°C/2 h				68/53	
			JAF-CI-355-2/4-R-400/2		5160/2580				27/7	15.3/7.7
*Smoke extraction mode: once for two hours										

JET AXIAL FANS

Ø [mm]	Air flow direction	Number of speeds	Model	Power [kW]	Max. air capacity [m³/h]	Fan pull [N]	Air speed [m/s]	RPM	Operating temperature [°C]	Sound pressure LpA, dB in 3 m	
400	Unidirectional	1	JAF-CI-400-2-U	1.1	8500	57	20.0	2880	-25...+55 °C	69	
			JAF-CI-400-2-U-300/2						300 °C/2 h	69	
			JAF-CI-400-2-U-400/2						400 °C/2 h	70	
			JAF-CI-400M-2-U	2.2	9870	77	23.2		2880	-25...+55 °C	67
			JAF-CI-400M-2-U-300/2							300 °C/2 h	67
			JAF-CI-400M-2-U-400/2							400 °C/2 h	69
		2	JAF-CI-400-2/4-U	1.1/0.25	8500/4250	57/15	20.0/10.0	2880/1440		-25...+55 °C	69/54
			JAF-CI-400-2/4-U-300/2							300 °C/2 h	69/54
			JAF-CI-400-2/4-U-400/2							400 °C/2 h	70/55
			JAF-CI-400M-2/4-U	2.2/0.5	9870/4930	77/20	23.2/11.6		2880/1440	-25...+55 °C	67/52
			JAF-CI-400M-2/4-U-300/2							300 °C/2 h	67/52
			JAF-CI-400M-2/4-U-400/2							400 °C/2 h	69/54
	Reversible	1	JAF-CI-400-2-R	1.5	8290	54	19.5	2880		-25...+55 °C	70
			JAF-CI-400-2-R-300/2							300 °C/2 h	70
			JAF-CI-400-2-R-400/2							400 °C/2 h	71
		2	JAF-CI-400-2/4-R	1.5/0.37	8290/4140	54/14	19.5/9.7		2880/1440	-25...+55 °C	70/55
			JAF-CI-400-2/4-R-300/2							300 °C/2 h	70/55
			JAF-CI-400-2/4-R-400/2							400 °C/2 h	71/56
*Smoke extraction mode: once for two hours											
450	Unidirectional	1	JAF-CI-450-2-U	1.5	10400	67	19.3	2880		-25...+55 °C	67
			JAF-CI-450-2-U-300/2							300 °C/2 h	67
			JAF-CI-450-2-U-400/2						400 °C/2 h	67	
			JAF-CI-450M-2-U	2.2	12800	100	23.3		2850	-25...+55 °C	70
			JAF-CI-450M-2-U-300/2							300 °C/2 h	70
			JAF-CI-450M-2-U-400/2							400 °C/2 h	70
		JAF-CI-450S-2-U	3	14100	124	26.2	2890	-25...+55 °C		69	
		JAF-CI-450S-2-U-300/2						300 °C/2 h		69	
		JAF-CI-450S-2-U-400/2						400 °C/2 h		72	
		2	JAF-CI-450-2/4-U	1.5/0.37	10400/5220	67/17		19.3/9.7	2880/1440	-25...+55 °C	67/52
			JAF-CI-450-2/4-U-300/2							300 °C/2 h	67/52
			JAF-CI-450-2/4-U-400/2							400 °C/2 h	67/52
			JAF-CI-450M-2/4-U	2.2/0.5	12800/6290	100/25	23.3/11.7	2880/1440		-25...+55 °C	70/55
			JAF-CI-450M-2/4-U-300/2							300 °C/2 h	70/55
			JAF-CI-450M-2/4-U-400/2							400 °C/2 h	70/55
		JAF-CI-450S-2/4-U	3.1/0.8	14100/7070	124/31	26.2/13.1	2880/1440		-25...+55 °C	69/54	
		JAF-CI-450S-2/4-U-300/2							300 °C/2 h	69/54	
		JAF-CI-450S-2/4-U-400/2							400 °C/2 h	72/57	
	Reversible	1	JAF-CI-450-2-R	1.5	9280	54		17.2	2880	-25...+55 °C	73
			JAF-CI-450-2-R-300/2							300 °C/2 h	73
			JAF-CI-450-2-R-400/2							400 °C/2 h	71
			JAF-CI-450M-2-R	2.2	10400	67	19.2	2850		-25...+55 °C	72
			JAF-CI-450M-2-R-300/2							300 °C/2 h	72
			JAF-CI-450M-2-R-400/2							400 °C/2 h	73
		JAF-CI-450S-2-R	3	12800	102	23.7	2890		-25...+55 °C	74	
		JAF-CI-450S-2-R-300/2							300 °C/2 h	74	
		JAF-CI-450S-2-R-400/2							400 °C/2 h	74	
		2	JAF-CI-450-2/4-R	1.5/0.37	9280/4640	54/14		17.2/8.6	2880/1440	-25...+55 °C	73/58
			JAF-CI-450-2/4-R-300/2							300 °C/2 h	73/58
			JAF-CI-450-2/4-R-400/2							400 °C/2 h	71/56
JAF-CI-450M-2/4-R	2.2/0.5		10400/5190	67/17	19.2/9.6	2880/1440	-25...+55 °C	72/57			
JAF-CI-450M-2/4-R-300/2							300 °C/2 h	72/57			
JAF-CI-450M-2/4-R-400/2							400 °C/2 h	73/58			
JAF-CI-450S-2/4-R	3.1/0.8	12800/6400	102/26	23.7/11.9	2880/1440		-25...+55 °C	74/59			
JAF-CI-450S-2/4-R-300/2							300 °C/2 h	74/59			
JAF-CI-450S-2/4-R-400/2							400 °C/2 h	74/59			
*Smoke extraction mode: once for two hours											

Ø [mm]	Air flow direction	Number of speeds	Model	Power [kW]	Max. air capacity [m ³ /h]	Fan pull [N]	Air speed [m/s]	RPM	Operating temperature [°C]	Sound pressure LpA, dB in 3 m
500	Unidirectional	2	JAF-CI-500-2/4-U	3.1/0.8	16200/8120	132/34	24.3/12.2	2880/1440	-25...+55 °C	72/57
			JAF-CI-500-2/4-U-300/2						300 °C/2 h	72/57
			JAF-CI-500-2/4-U-400/2						400 °C/2 h	70/55
			JAF-CI-500M-2/4-U	4.4/1.1	18500/9240	171/43	27.7/13.8	2880/1440	-25...+55 °C	72/57
			JAF-CI-500M-2/4-U-300/2						300 °C/2 h	72/57
			JAF-CI-500M-2/4-U-400/2						400 °C/2 h	74/59
	Reversible	2	JAF-CI-500-2/4-R	3.1/0.8	14500/7250	105/27	21.7/10.8	2880/1440	-25...+55 °C	77/62
			JAF-CI-500-2/4-R-300/2						300 °C/2 h	77/62
			JAF-CI-500-2/4-R-400/2						400 °C/2 h	75/60
			JAF-CI-500M-2/4-R	4.4/1.1	16600/8310	138/35	24.8/12.4	2880/1440	-25...+55 °C	76/61
			JAF-CI-500M-2/4-R-300/2						300 °C/2 h	76/61
			JAF-CI-500M-2/4-R-400/2						400 °C/2 h	77/62
*Smoke extraction mode: once for two hours										
560	Unidirectional	2	JAF-CI-560-2/4-U	4.4/1.1	20200/10100	167/42	24.7/12.4	2880/1440	-25...+55 °C	74/59
			JAF-CI-560-2/4-U-300/2						300 °C/2 h	74/59
			JAF-CI-560-2/4-U-400/2						400 °C/2 h	74/59
			JAF-CI-560M-2/4-U	8/2	25100/12500	257/64	30.7/15.3	2880/1440	-25...+55 °C	76/61
			JAF-CI-560M-2/4-U-300/2						300 °C/2 h	76/61
			JAF-CI-560M-2/4-U-400/2						400 °C/2 h	77/62
	Reversible	2	JAF-CI-560-2/4-R	4.4/1.1	16800/8410	115/29	20.5/10.3	2880/1440	-25...+55 °C	77/62
			JAF-CI-560-2/4-R-300/2						300 °C/2 h	77/62
			JAF-CI-560-2/4-R-400/2						400 °C/2 h	77/62
			JAF-CI-560M-2/4-R	6/1.5	21100/10500	182/46	25.8/12.9	2880/1440	-25...+55 °C	79/64
			JAF-CI-560M-2/4-R-300/2						300 °C/2 h	79/64
			JAF-CI-560M-2/4-R-400/2						400 °C/2 h	77/62
*Smoke extraction mode: once for two hours										
630	Unidirectional	2	JAF-CI-630-2/4-U	12/3	31500/15700	320/80	30.4/15.2	2880/1440	-25...+55 °C	79/64
			JAF-CI-630-2/4-U-300/2						300 °C/2 h	79/64
			JAF-CI-630-2/4-U-400/2						400 °C/2 h	77/62
			JAF-CI-630M-2/4-U	16/4	35200/17650	399/101	34/17	2880/1440	-25...+55 °C	81/66
			JAF-CI-630M-2/4-U-300/2						300 °C/2 h	81/66
			JAF-CI-630M-2/4-U-400/2						400 °C/2 h	78/63
	Reversible	2	JAF-CI-630-2/4-R	12/3	26700/13400	230/58	25.8/12.9	2880/1440	-25...+55 °C	85/70
			JAF-CI-630-2/4-R-300/2						300 °C/2 h	85/70
			JAF-CI-630-2/4-R-400/2						400 °C/2 h	82/67
			JAF-CI-630M-2/4-R	16/4	29100/14600	274/69	28.2/14.1	2880/1440	-25...+55 °C	86/71
			JAF-CI-630M-2/4-R-300/2						300 °C/2 h	86/71
			JAF-CI-630M-2/4-R-400/2						400 °C/2 h	82/67
*Smoke extraction mode: once for two hours										